

FX-1

PVC FLEXIBLE HOSE DELIVERY SYSTEMS



FLEXIBLE SPRING WIRE REINFORCED PVC "POLYWIRE" HOSE OFFERS EXCELLENT CHEMICAL COMPATIBILITY AS WELL AS UV RATED. AVAILABLE AS AN OPTION WITH ALL INDUCTION UNITS. 3/4" - 2" ID HOSE SIZES AVAILABLE. STANDARD LENGTH 10' (LONGER LENGTHS AVAILABLE).

The INTRUDRRR Series 35F & 35FP is supplied with flexible spring wire reinforced PVC "POLYWIRE" hose with quick disconnect fittings as an option. This option allows for quick and easy installation and inspection of the unit without the hassle of rigid PVC pipe.

The flex hose kit includes:

- Qty. 1 10' PVC suction hose (longer lengths available).
- Qty. 2 Polypropylene quick disconnect cam & groove fittings (qty. 2 male & qty. 2 female fittings).
- Qty. 1 PVC Sch 80 elbow 90 degree TxT (same size as hose).
- Qty. 1 PVC Sch 80 close nipple (same size as hose).
- Qty. 1 PVC Sch 80 reducer bushing (to match feed port if required)
- Qty. 1 PVC Sch 80 True Union Ball Check Valve (same size as hose).

PVC suction hose construction:

Crystal clear PVC reinforced with spring wire. Compounded from non-toxic PVC ingredients in compliance with applicable FDA ** requirements. ** FDA-CFR Title 21 parts 170 to 199.

Features:

- * Full Vacuum Rating
- * Anti-kinking, Anti-collapsible
- * Chemical Resistant with Viton or Teflon gasket
- * Ozone and Atmospheric resistant

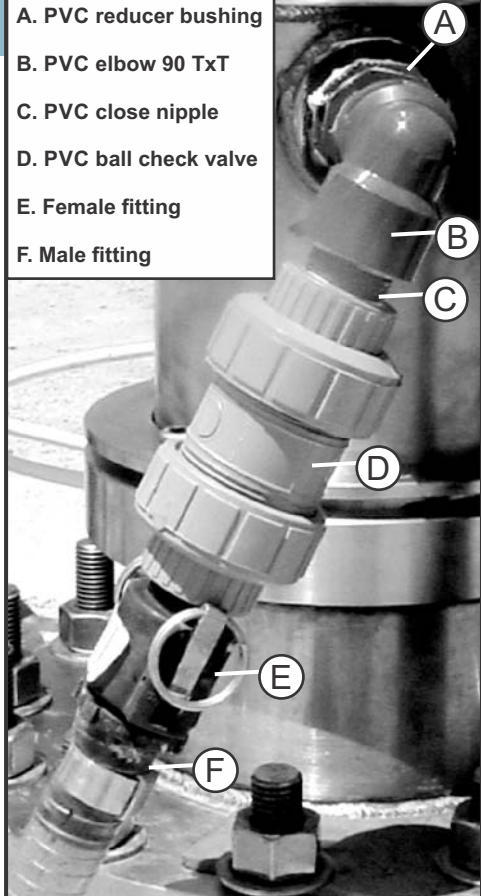
Polypropylene quick disconnect fittings:


2 sets of quick disconnect (cam & groove) fittings are supplied with the flex hose kit. Simply insert adapter into coupler and pull down arms to lock assembly. When correctly coupled, the Viton or Teflon gasket will seal the hose for submerged/atmospheric full vacuum service.

NOMINAL ID	NOMINAL OD	MIN. BEND RADIUS	WORKING PRESSURE	WEIGHT WITH FITTINGS
3/4"	1.031"	3"	70 PSI	10' = 4 lbs.
1"	1.297"	4"	70 PSI	10' = 7 lbs.
1 1/2"	1.860"	6"	50 PSI	10' = 10 lbs.
2"	2.391"	8"	50 PSI	10' = 14 lbs.

GASKET MATERIAL: TEFLON STANDARD

Part Numbers: FX-(size)-(length')
 Example: 3/4" hose with 10' length = FX-3/4-10
 Example: 1" hose with 10' length = FX-1-10



	Part A: Male Fitting/Hose Shank 3/4" Part # 075A 1" Part # 100A 1-1/2" Part # 150A 2" Part # 200A
	Part B: Male Fitting/Male NPT 3/4" Part # 075B 1" Part # 100B 1-1/2" Part # 150B 2" Part # 200B
	Disconnect Seal: Teflon/Buna 3/4" Part # 75-G-TF 1" Part # 100-G-TF 1-1/2" Part # 150-G-TF 2" Part # 200-G-TF

