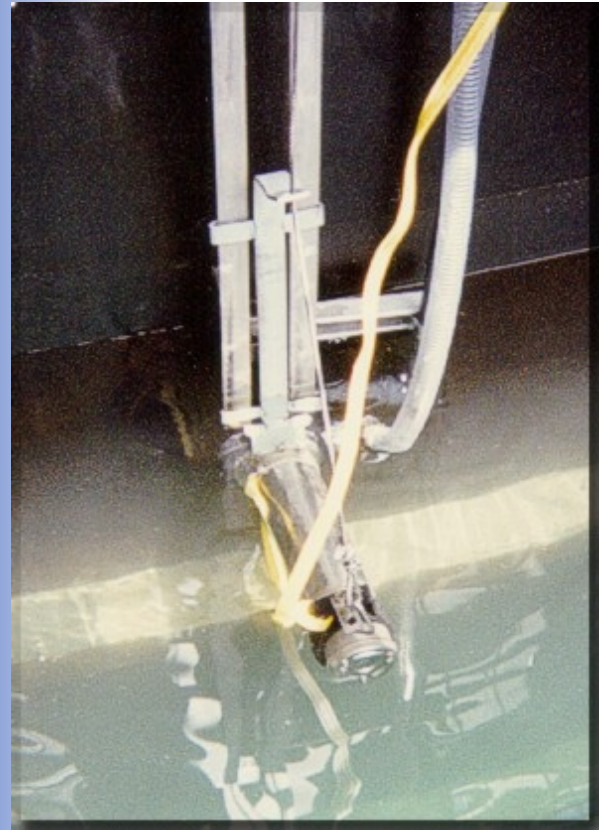


# GR-1

## SUBMERSIBLE CIU GUIDE RAIL SYSTEMS



### GR-1 GUIDE RAIL SYSTEMS

The GR-1 guide rails systems are designed for use with the GAS MASTRRR series 32 & 23P submersible chemical induction units.

The guide rails are constructed from 316 stainless steel materials for long term duty in harsh water, wastewater, or CSO basin installations.

The Tee rail system allows the motor slide bracket to easily lower and raise without binding and provides support for the CIU as it stops in a vertical, horizontal, or pivoting position.

The GR-1 rails are available with stand off support brackets for wide channels applications. Options include: Integral davit cranes, floor flange supports, and dual unit systems for side by side CIU applications.

The GAS MASTRRR series GR-1 rail systems are proudly made in the U.S.A. and are backed by a 1 year limited warranty.

THE MASTRRR COMPANY

www.gasmastrrr.com mastrrr@airmail.net  
1-800-299-6836 1-800-226-2659 Fax

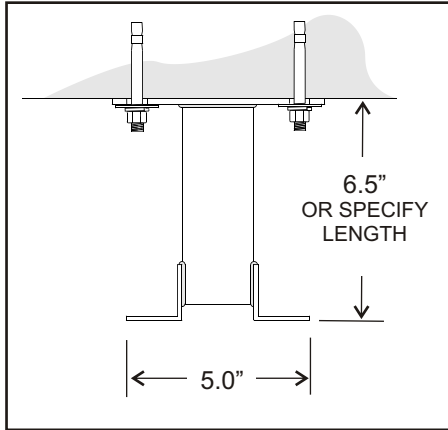


# GR-1

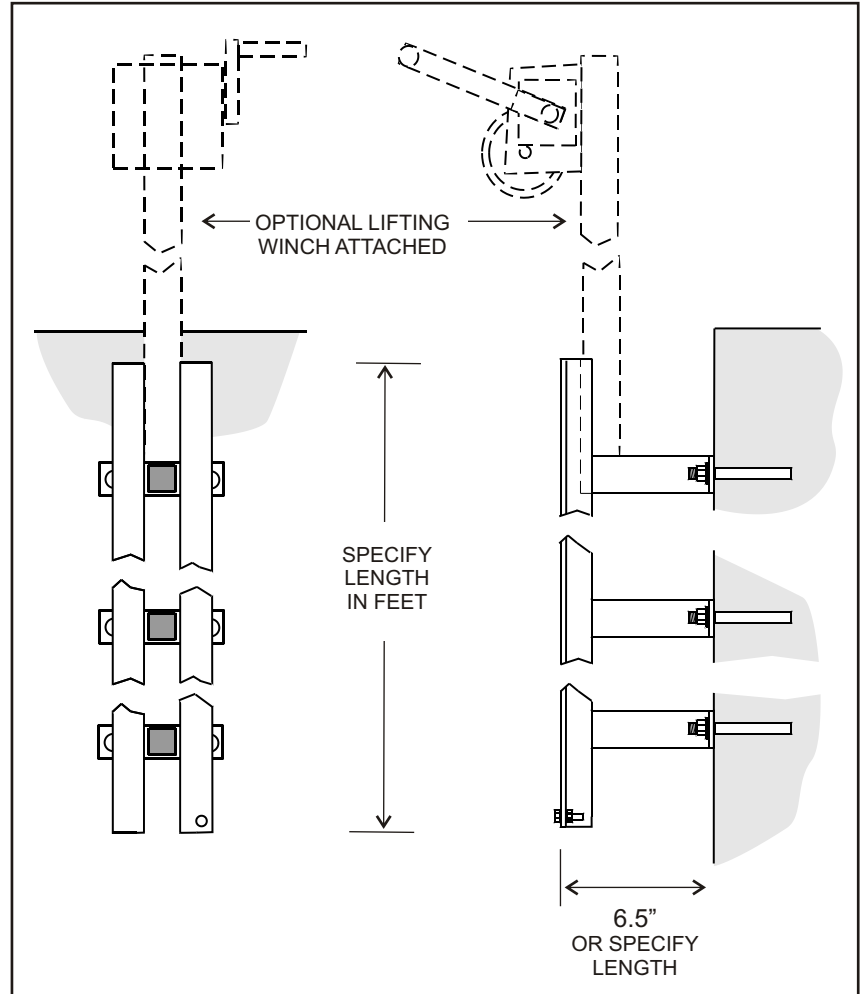
# SUBMERSIBLE CIU GUIDE RAIL SYSTEMS

## GR-1 GUIDE RAIL SYSTEMS

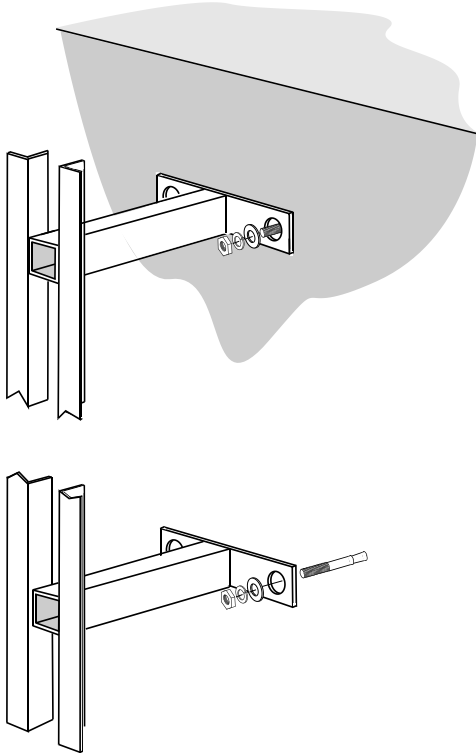
TOP VIEW



FRONT VIEW



ISO VIEW



GR-1 guide rails use 316 stainless steel materials for long term duty in harsh water, wastewater, or CSO basin applications.

The 5" wide Tee guide rail is formed from dual 1-1/2" angles that are welded to 2" square tube standoff supports.

The guide rail length must be specified in feet. Standoff supports are placed at top and bottom of guide rail and may require additional supports on rail lengths over 6 feet.

Optional lifting winch eliminates the need for a Davit Crane.

The **GAS MASTRRR** series GR-1 rail systems are proudly made in the U.S.A. and are backed by a 1 year limited warranty.

### THE MASTRRR COMPANY

www.gasmastrrr.com mastrrr@airmail.net  
1-800-299-6836 1-800-226-2659 Fax