

OR-1

EXTERNAL OIL RESERVOIR SYSTEMS



OR-1 EXTERNAL OIL RESERVOIR

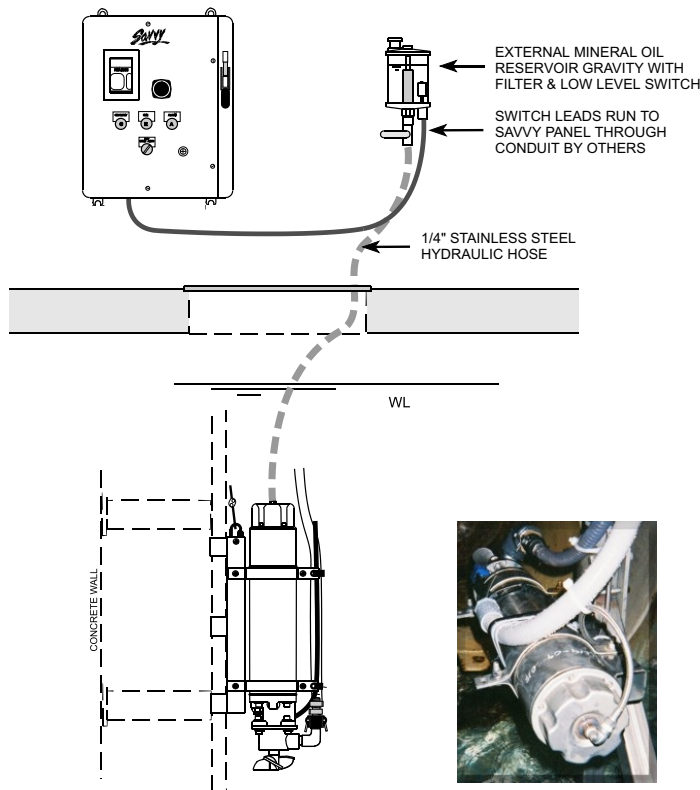
The GAS MASTRRR Series 32 & 32P require periodic inspection of the oil level for maintenance. In many applications the CIU is not easily accessible or requires a chemical feed shutdown. The optional OR-1 allows for oil inspection and addition with out the hassle of access or CIU shut down.

The OR-1 mounts external to the CIU and is ported to the motor and oil reservoir via a 1/4" 316 stainless steel hydraulic hose. Standard length of hose is 25' with longer lengths optional.

The OR-1 has a 10 VA float switch that closes on descending level. The switch may be wired in series with the SAVVY control panel for alarm or CIU shut down if required.

The OR-1 easily install with new or retrofit to existing GAS MASTRRR installations.

SAMPLE INSTALLATION



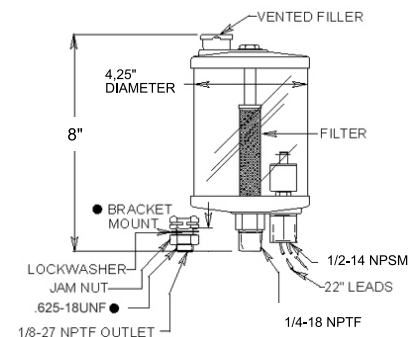
STANDARD MATERIALS:

- * Aluminum construction
- * Buna N seals/float
- * Break resistant, colorless transparent acrylic
- * 100 mesh stainless steel filter in reservoir
- * 10 VA switch closes on descending level

OPERATING CONDITIONS:

Maximum working temperature up to 160 F (71.1 C)
Ratings are at atmospheric pressure.

OR-1 reservoirs feature self-closing snap lid filler caps, vented on vertical plane to minimize the possibility of dust and dirt from entering the reservoir through the vent. Reservoirs can be disassembled for occasional cleaning.



The OR-1 is proudly made in the U.S.A. and is backed by a 1 year limited warranty.

THE MASTRRR COMPANY

www.gasmastrrr.com mastrrr@airmail.net
1-800-299-6836 1-800-226-2659 Fax

