

INTRUDRRR SERIES 35FP FLANGED/IN-LINE CHEMICAL MIXERS



SERIES 35FP FLANGED/IN-LINE MIXER

The INTRUDRRR series 35FP is a flanged/in-line high rate mixer designed for flash mixing of liquid chemicals into pipelines or closed conduits. They easily install vertically or horizontally through 6", 8", or larger ANSI flanges providing superior velocity gradient mixing intensity in 6" and larger pipelines. The series 35FP is supplied with a 316 stainless steel packing gland flange & insertion/retraction system for unit installation and removal from the pipeline under pressure/flow conditions.

The series 35FP is designed for non-vacuum flash mixing of liquid chemicals into pressured lines when chemical metering pumps are used to supply the chemicals and overcome pipeline head pressure. They are supplied with two isolated chemical feed ports for multiple chemical feed applications.

The series 35FP utilizes a close coupled rugged and reliable U.S.A. manufactured TEFC severe duty chemical process motor for indoor/outdoor service in corrosive environments.

The INTRUDRRR series 35FP is available in 2 - 25 HP ranges for feed rates up to 60 GPM of liquid chemicals.

The INTRUDRRR series 35FP utilizes a Hasteloy-C propeller for a high GPM axial dispersion of the chemical mix in small or large diameter pipelines. Optional 304 or 316 stainless steel knife gate valves may be supplied in 6" or larger flange sizes. **NOTE:** 6" concrete lined pipe stubs may require concrete removal to allow barrel to insert smoothly.

Performance Specifications

Model No.	HP	Flange Size (inches)	Maximum Liquid Induction GPM	Propeller Diameter O.D. (in.)	Propeller Discharge	
					GPM	Velocity (f/s)
Series 35FP-2	2	6 or 8	10	4	725	18.5
Series 35FP-3	3	6 or 8	20	4.75	1,050	18.6
Series 35FP-5	5	6 or 8	25*	5	1,150	19.2
Series 35FP-7.5	7.5	6 or 8	30*	5.5	1,565	21
Series 35FP-10	10	8	40*	6	1,985	22
Series 35FP-15	15	8	50*	6.5	2,565	24
Series 35FP-20	20	8	60*	7	3,150	26
Series 35FP-25	25	8	70*	7.5	3,925	28

25 HP used for extreme applications where additional mixing intensity is required in large diameter pipelines or closed conduits.

*Maximum feed rate may vary dependent on chemical feed equipment manufacturers meter pump capacities, supply piping size and length, chemical viscosity, and the pipeline pressure. A larger HP CIU may be required to meet mixing (G-value) requirements. HP range is selected by chemical feed rate, pipeline size, peak pipeline flow rate, and (G-value) mixing requirement.

The INTRUDRRR series 35FP is proudly made in the U.S.A. and is backed by a 1 year limited warranty. **THE MASTRRR COMPANY** offers an exclusive exchange program for competitive in-line mixers. Contact us for our exchange policy details.



THE MASTRRR COMPANY

www.gasmastrrr.com mastrrr@airmail.net
1-800-299-6836 1-800-226-2659 Fax

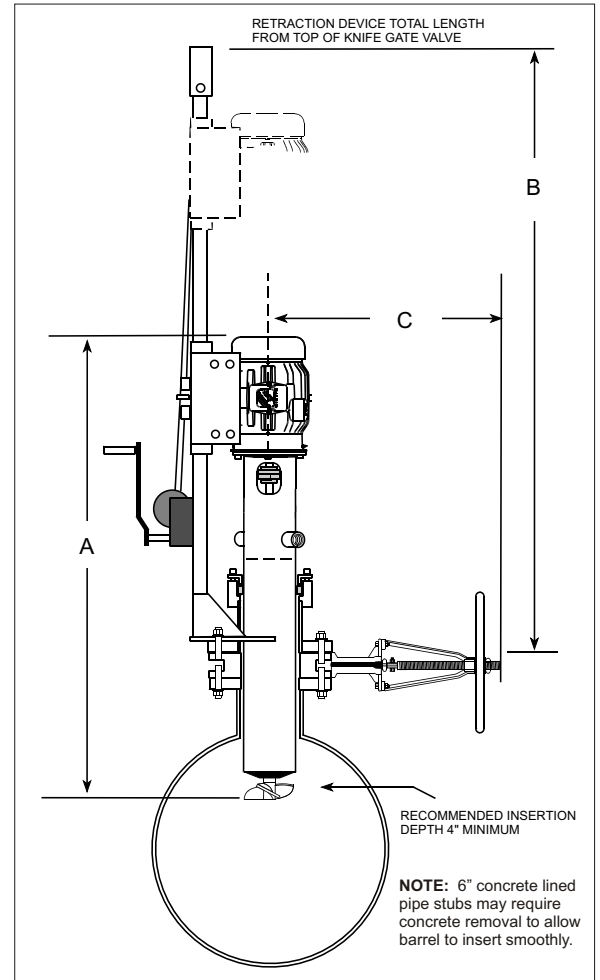
INTRUDRRR SERIES 35FP FLANGED/IN-LINE CHEMICAL MIXERS



SERIES 35FP FLANGED/IN-LINE MIXER SPECIFICATIONS



HP	DIMENSIONS (inches)				FEED PORT (inches)
	A	B	C		
			6"	8"	
2	62	75.5	26	33	1"
3	65	75.5	26	33	1"
5	65	75.5	26	33	1"
7.5	68	75.5	26	33	1-1/2"
10	68	75.5	N/A	33	1-1/2"
15	72.5	75.5	N/A	33	1-1/2"
20	72.5	75.5	N/A	33	2"
25	73.5	75.5	N/A <td 33	2"	



MATERIALS OF CONSTRUCTION

PART	MATERIAL
Motor	Epoxy Coated Cast Iron
Packing Gland	316 Stainless steel
Flange	316 Stainless steel
Barrel	316 Stainless steel
Shaft	Titanium
Cone	UHMW Polyethylene
Mixing Element	Hasteloy-C
Feed Port	UHMW Polyethylene

TEFC MOTOR SPECIFICATION DATA VOLTAGE: 230/460 S.F. 1.15

HP	RPM	Amps@460		Frame Size	Nema Design Code	Nominal Power Factor %			Typical Efficiency %		
		FL	LR			F.L.	3/4	1/2	F.L.	3/4	1/2
2	3450	2.5	30	145TC	B	85.0	80.0	70.0	86.5	86.2	83.8
3	3500	3.4	32	182TC	A	92.0	89.0	83.0	88.5	89.1	87.5
5	3500	5.7	62	184TC	A	90.0	86.0	77.0	89.5	89.8	88.2
7.5	3525	8.6	75	213TC	A	90.0	87.0	79.0	91.0	91.4	90.0
10	3500	11.2	120	215TC	B	92.0	89.0	82.0	91.7	92.9	92.7
15	3525	17.2	128	254TC	B	88.0	86.0	78.0	91.7	91.8	90.8
20	3520	22.5	166	256TC	B	90.0	86.0	79.0	92.4	93.0	92.5
25	3430	28	236	284TC	A	91.0	88.0	82.0	93.0	93.5	93.0

The INTDUDRRR series 35FP is proudly made in the U.S.A. and is backed by a 1 year limited warranty. THE MASTRRR COMPANY offers an exclusive exchange program for competitive mixers. Contact us for our exchange policy details.

THE MASTRRR COMPANY

www.gasmastrrr.com mastrrr@airmail.net
1-800-299-6836 1-800-226-2659 Fax

